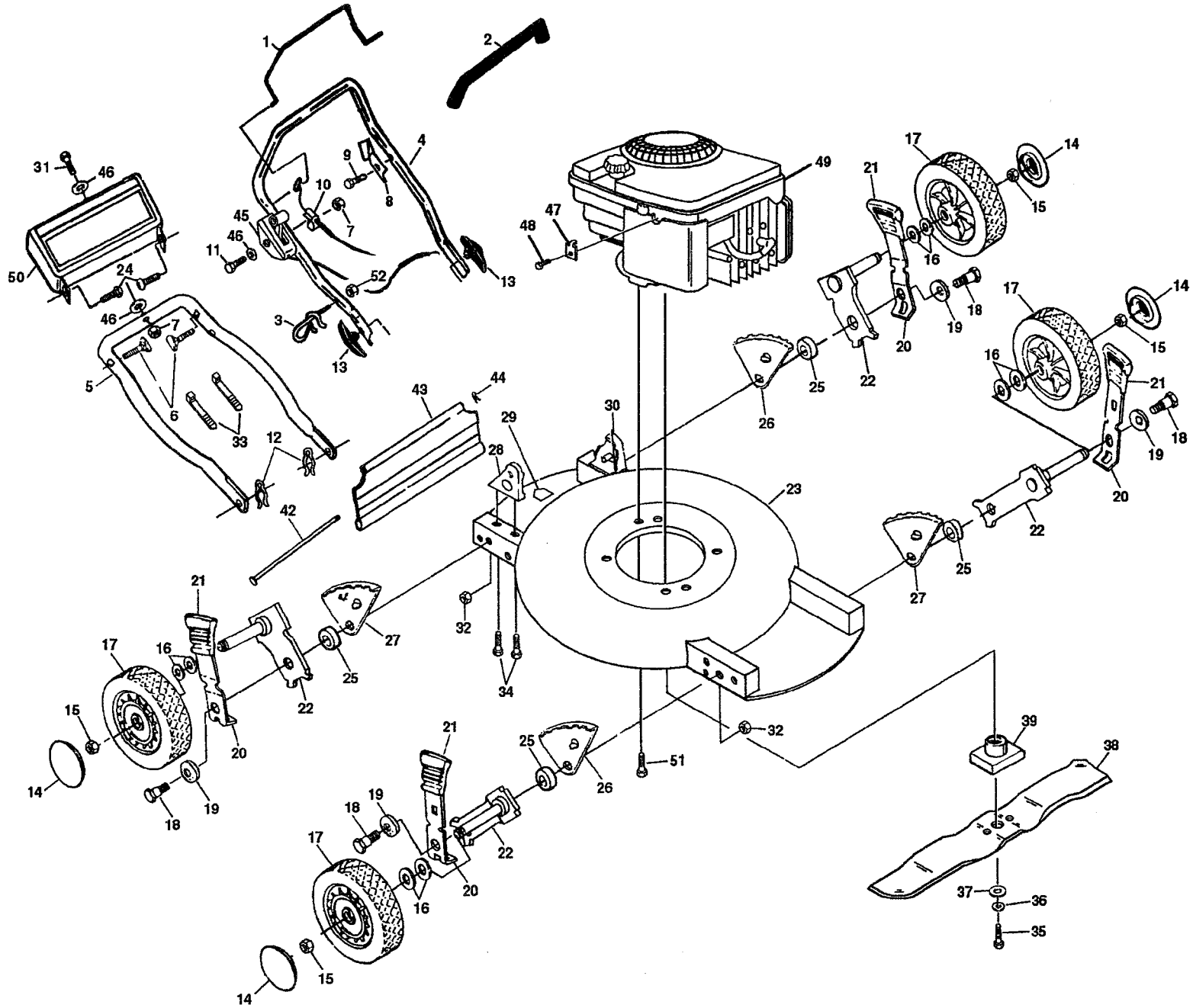


# REPAIR PARTS

20" ROTARY LAWN MOWER - - MODEL NO. 51m, PRODUCT NO. 954 05 61-11 (H51MC)



# REPAIR PARTS

## 20" ROTARY LAWN MOWER - - MODEL NO. 51m, PRODUCT NO. 954 05 61-11 (H51MC)

15

KEY NO.	PART NO.	DESCRIPTION
1	532850758	Control Bar
2	532850724	Handle Grip
3	532132001	Rope Guide
4	532125295	Upper Handle
5	532125293	Lower Handle
6	532131959	Handle Bolt 5/16-18 x 1-3/4
7	532063601	Locknut 1/4-20
8	532125162	Up-Stop Bracket
9	532750097	Hex Washer Head Screw #10-24 x 1/2
10	532851671	Engine Zone Control Cable
11	532085692	Pan Head Screw 1/4-20 x 2-1/8
12	532051793	Hairpin Cotter
13	532063688	Handle Knob
14	532850845	Hubcap
15	532083923	Hex Locknut 3/8-16
16	532057143	Washer
17	532800333	Wheel & Tire Assembly 8.0 x 2.0
18	532084921	Shoulder Bolt
19	532062335	Belleville Washer
20	532125066	Selector Spring
21	532132800	Selector Knob
22	532125061	Axle Arm Assembly
23	532700689	Lawn Mower Housing (Includes Key No. 29)
24	532036953	Screw
25	532084920	Spacer
26	532800370	Wheel Adjusting Bracket (R.F./L.R.)
27	532800368	Wheel Adjusting Bracket (L.F./R.R.)
28	532125449	Handle Bracket Assembly (Right)

KEY NO.	PART NO.	DESCRIPTION
29	532107339	Danger Decal
30	532125448	Handle Bracket Assembly (Left)
31	532085436	Screw
32	532751592	Locknut 3/8-16
33	532066426	Wire Tie
34	532055187	Thread Cutting Screw 5/16-18 x 3/4
35	532851084	Hex Head Screw 3/8-24 x 1-3/8
36	532850263	Helical Lockwasher 3/8
37	532851074	Hardened Washer
38	532751646	20" Blade
39	532850977	Blade Adapter
42	532751649	Deflector Rod
43	532751648	Rear Deflector
44	532700279	Retainer Clip
45	532700417	Throttle Control
46	532085723	Washer
47	532213146	* Cable Clamp
48	532083816	Thread Rolling Screw #10-32 x 5/8
49	-- -- -- --	* Engine - Briggs & Stratton, Model No. 124702
50	532800547	Trim Plate
51	532850998	Hex Head Screw, Self Tap. 3/8 - 16 x 1.1
52	873510400	Keps Locknut 1/4-20
--	532700666	Owner's Manual (English)
--	532700667	Owner's Manual (French)
--	532800569	Decal (Engine)
--	532801659	Decal (Housing)
--	532850788	Trim Plate Decal

\* These parts must be purchased through an authorized Briggs & Stratton dealer.